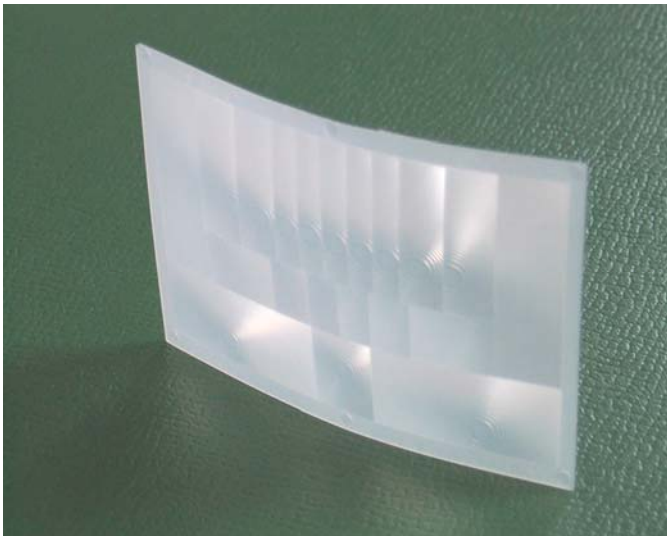


KUBE Fresnel Lens Array WA-23

Features:

- Standard MultiZone lens for alarms and light switches
- Powerful, for medium range applications
- Wide field of view, dense pattern
- Low false alarm rates
- Compatible with other lens brands

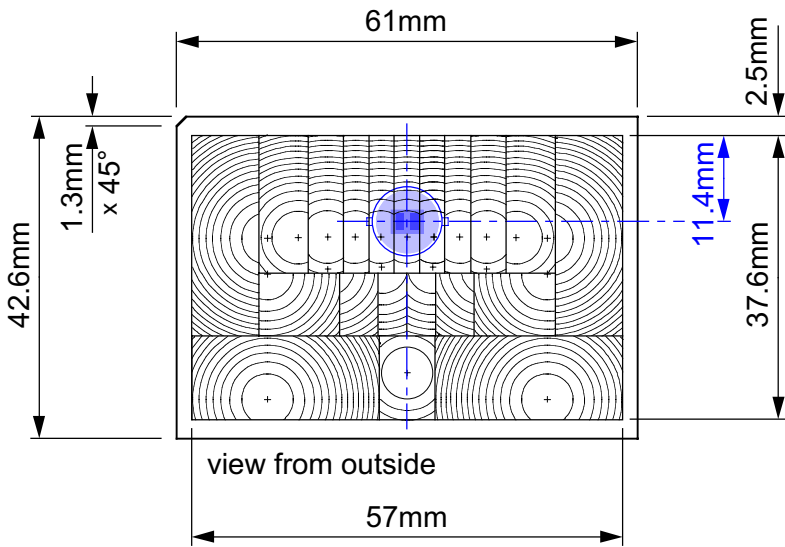


Properties

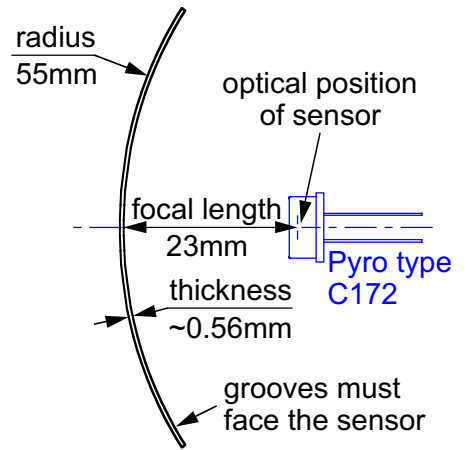
| | |
|----------------------|---|
| Recommended range | 1 - 18 meters |
| Installation height | 2 - 3 meters |
| Lens elements | 20 (11 main, 6 intermediate, 3 short range) |
| Horizontal angle | 90° |
| Vertical angle | -5° / -14° / -40° |
| Focal length | 23mm |
| Lens material | High Density Polyethylene UV stabilized |
| Colours | natural, other colours on request |
| Fixation | mechanical on rim, radius 55mm |
| Ideal to comply with | VdS requirements for intruder alarms |

Note: With some degradation in performance, the lens may be used flat or curved with an other radius. A smaller radius will widen the overall viewing angle.

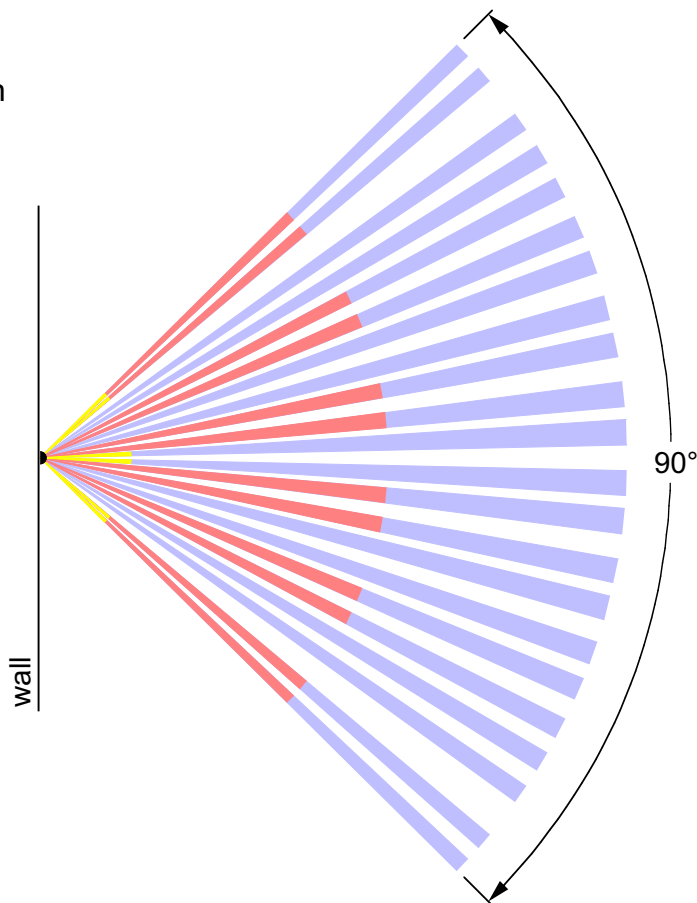
Dimensions of lens flat



Placement Pyro and lens (top view)



Top view of detection pattern



Side view of detection pattern

